

SVA036-C



Features

- 1/3" NEXT CHIP NEPIS CCD
- Wide View 120° (2.9mm)
- 8pcs of 850nm IR LEDs
- 650 TV Lines
- WaterProof (Certified IP 68 / IP 69K)
- AGC, AWB, Auto Iris
- MIC.(44dB) -Option (CRX Only)
- Rugged Aluminum Housing
- Easy Installation & Angle Control
- Variable operating Power : DC12V~24
- 5, 10, 15, or 20m Extension Cable Length Available



1/3" COLOR CCD



DAY & NIGHT



DNR

DIGITAL NOISE REDUCTION



DPC

DEAD PIXEL COMPENSATION

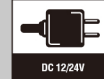


LSC

LENS SHADING COMPENSATION



2.9mm BOARD LENS



DC 12/24V

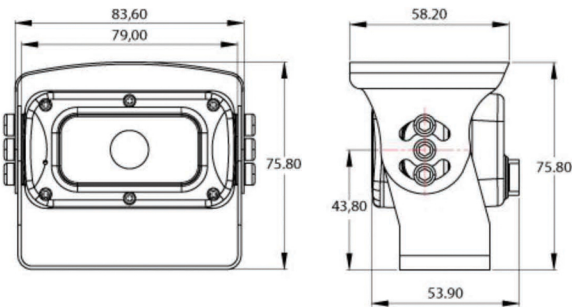


IP68



8 IR LEDs

Dimensions



Cable



Extension Cable available in 5m, 10m, 15m, 20m

Alternative Views



Specifications

SVA036-C	
Image Device	1/3" NEXT CHIP NEPIS CCD
Image Processor	NEXTCHIP Image Signal Processor NVP2080 (PELICAN-S)
Effective Pixel	(H)768X(V)494 (NTSC) / (H)752X(V)582 (PAL)
TV System	2:1 Interface
Video Output	CVBS 1Vp-p ±10%, 75Ω
Scan Freq.	(V)59.94Hz,(H)15.734KHz (NTSC) (V)50Hz,(H)15.625KHz (PAL)
Synchronization	Internal
H. Resolution	650TV Lines
Sensitivity	0.01Lux (F1.2, @50IRE)
S/N Ratio	More than 50dB with AGC OFF at 50IRE
White Balance	2000 ~ 8000 *K Automatic tracking
BLC	Built-in, Center weighted (adjustable area)
AGC	Built-in, Factory set to ON
Mirror	ON / OFF
Lens	f=2.9mm, View 120°/f=3.6mm, View 90°
IR LEDs	850nm IR LEDs 8EA CDS Sensor 1EA
Night View Distance	Outdoor 10m
Operating Power	12V (ON:170mA / OFF:120mA)~ 24V (ON:80mA / OFF:60mA)
Operating Condition	-20°C ~ +60°C, 85%RH, non-condensing
Audio	O
Housing Color	Black
IP Class	IP 68 / IP 69K

